

Lambda 365 Advanced Transmission Holder Installation Instructions

This instruction sheet describes the installation of this accessory which is used with the Lambda 365 Spectrophotometer.

NOTE: *Read these instructions before you install this accessory.*

Contacting PerkinElmer

Supplies, replacement parts, and accessories can be ordered directly from PerkinElmer, using the part numbers.

See our website:

<http://perkinelmer.com>

PerkinElmer's catalog service offers a full selection of high-quality supplies.

To place an order for supplies and many replacement parts, request a free catalog, or ask for information:

If you are located within the U.S., call toll free 1-800-762-4000, 8 a.m. to 8 p.m. EST. Your order will be shipped promptly, usually within 24 hours.

If you are located outside of the U.S., call your local PerkinElmer sales or service office.

Features

- Use for measuring the transmittance of various features of film, glass, and plate, etc.
- User-convenient sampling
- Adjustable fixing arms for the samples with various thicknesses
- Internal magnet for fixing sample



Figure 1 Lambda 365 Advanced Transmission Holder accessory [P/N: N4101001]



PerkinElmer, 710 Bridgeport Avenue,
Shelton, CT 06484-4794, U.S.A

Produced in the USA.

Dimensions and Specifications

Type	Specification
Dimension (mm)	120(W) x 170(D) x 82(H)
Weight (kg)	0.76
Sample Size (mm)	Max. Length : 40 x 100
	Max. Thickness : 22

Description

Configuration of Advanced Transmission Holder

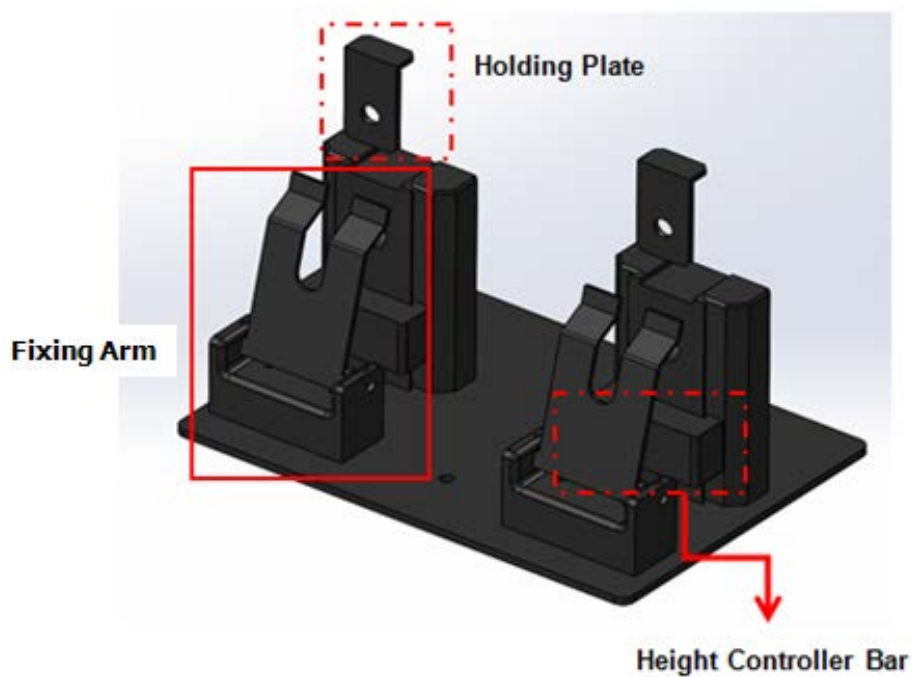


Figure 2 Lambda 365 Advanced Transmission Holder configuration



Figure 3 Knob

Installation

1. Loosen the knob to disassemble the existing cell holder.



Figure 4 Loosening the knob

2. Pull out the cell holder by hand.



Figure 5 Pulling out the cell holder

3. Insert the Advanced Transmission Holder in the sample compartment and tighten the knob.

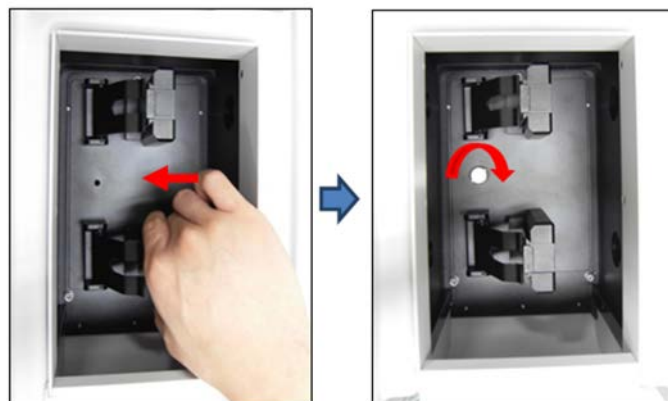


Figure 6 Inserting the Advanced Transmission Holder in the sample compartment

Sampling

Proper Size Sample

1. Open the fixing arm and place a sample.



Figure 7 Preparing a sample

2. Close the fixing arm to fix the sample.



Figure 8 Closing the fixing arm

Short height Sample

- Adjust the sample loading height using the height controller bar, depending the sample size.



Figure 9 Controlling the height

Thin film sample

- Fix a thin film sample using the holding plate.

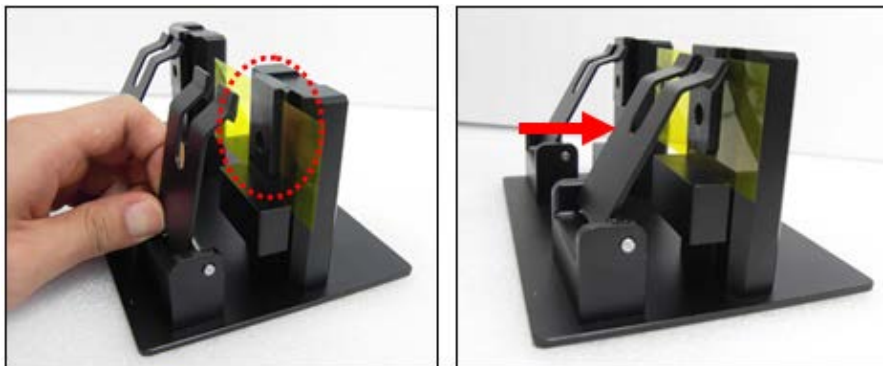
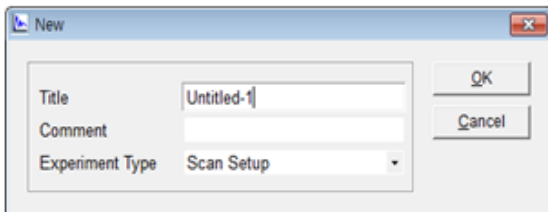


Figure 10 Thin film sample load using the sample plate

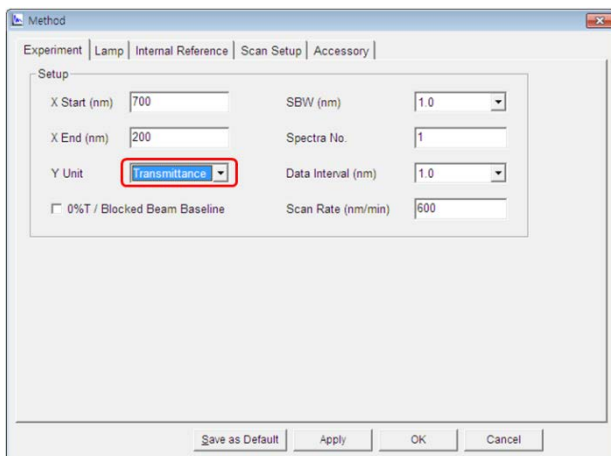
UV Express Software Measurement

NOTE: Start the System Self Test after warming up the system at least 20 minutes.

1. Select the experiment mode in the **UV Express** folder.
2. Select **OK** after finishing the **System Self Test**.
3. Select **New** to open a new window and select **OK**.



4. Open the Method window in the main menu. Select **Transmittance** for Y unit.



5. Select **Apply** and then select **OK** after setting up the parameters.

NOTE: For more detail of method, refer to *UV Express Software Users Guide*. (Part No. 09931274).

6. Put the reference samples at both reference holder and sample holder. If no reference sample exists, let the holder empty.



7. Close the sample compartment lid and select the **Baseline** icon.
8. Measure and verify the baseline spectrum.
9. Insert the sample into the transmission holder. Close the sample compartment lid and select the **Sample** icon.



10. Input the sample name and select **OK**.
11. Confirm the spectrum and results. Save or print the data.